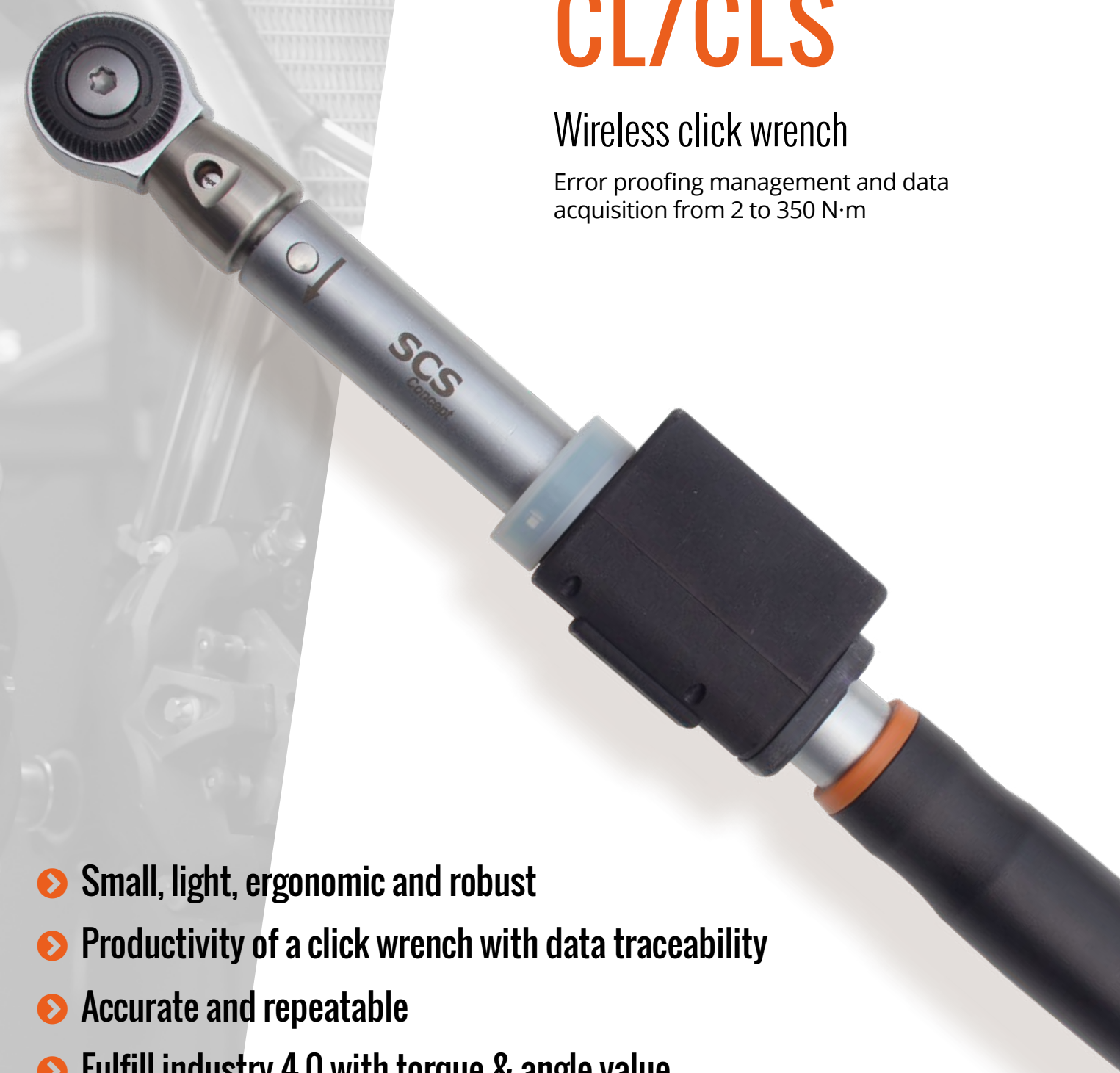


Reference	Designation	Reference	Designation	Capacity	Drive	L2	Weight
	Error Profiling			N·m		mm	kg
114 32 0020	Freedom CL 20	114 31 0020	Freedom CLS 20	2 - 20	9 x 12	190	0.43
114 32 0050	Freedom CL 50	114 31 0050	Freedom CLS 50	5 - 50	9 x 12	270	0.673
114 32 0100	Freedom CL 100	114 31 0100	Freedom CLS 100	10 - 100	9 x 12	330	0.795
114 32 0200	Freedom CL 200	114 31 0200	Freedom CLS 200	20 - 200	14 x 18	445	1.18
114 32 0350	Freedom CL 350	114 31 0350	Freedom CLS 350	35 - 350	14 x 18	690	1.98

Each wrench is delivered with the torque setting key	CL	CLS
Data traceability (With FIM)		X
Torque and angle values		X
Angle monitoring		X
Analyze mode with FIM-EVO		X
Error proofing management	X	X
Batch size	X	X
Re-tighten detection	X	X
Untightening detection	X	X



# CL/CLS

## Wireless click wrench

Error proofing management and data acquisition from 2 to 350 N·m

- Small, light, ergonomic and robust
- Productivity of a click wrench with data traceability
- Accurate and repeatable
- Fulfill industry 4.0 with torque & angle value



SCS Concept Group  
 Ph. +39 02 925 02 684  
 info@scsconcept.com  
 www.scsconcept.com  
 CL/CLS - Ed. 1 - EN

**SCS Concept Group**

[www.scsconcept.com](http://www.scsconcept.com)

# CL/CLS wireless click wrench



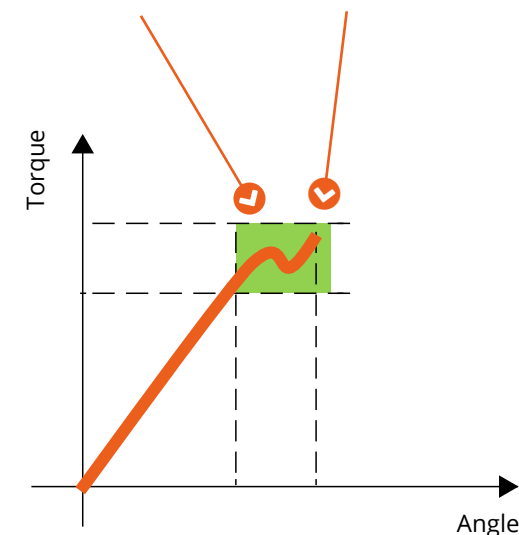
Standard end-fitting



- Features**
- Autonomy : 9 hours to 18 hours (5 hours to charge)
  - Click accuracy : 4% to fulfill ISO6789
  - Torque accuracy: +/- 1% of the read value
  - Angle accuracy : +/- 1% of the read value
  - Torque range : 10 to 100%
  - Untightening detection
  - First peak and max torque applied send to the controller
  - Bidirectional RF communication between the wrench and our controller

- CL click wrench**  
 CL click wrench is design for error proofing management, without any data traceability with SCS-FCB controller.
- CLS torque & angle click wrench**  
 CLS torque & angle click wrench is design for error proofing and data traceability with FIM-EVO.

Click torque or max torque apply



# CL/CLS controllers



**SCS FCB**  
 SCS FCB can manage up to 4 CL/CLS wrench and is design for Error proofing management, No data store, but all report are available on the 8 input/8 output 24V.



**FIM-EVO**  
 FIM-EVO can manage up to 12 SCS Concept tools (CL/CLS, Freedom<sup>3</sup>, Freedom<sup>4</sup>, CDM, etc) and is designed to manage error proofing, data collection and communication protocol.  
 A controller can manage 2 stations in same time.  
 Please see the leaflet for more information.



**VPG+**  
 VPG+ can manage SCS Concept tools (CL/CLS, Freedom<sup>3</sup>, Freedom<sup>4</sup>, CDM, etc) and is design to manage error proofing, data collection and communication protocol.  
 Please see the leaflet for more information.



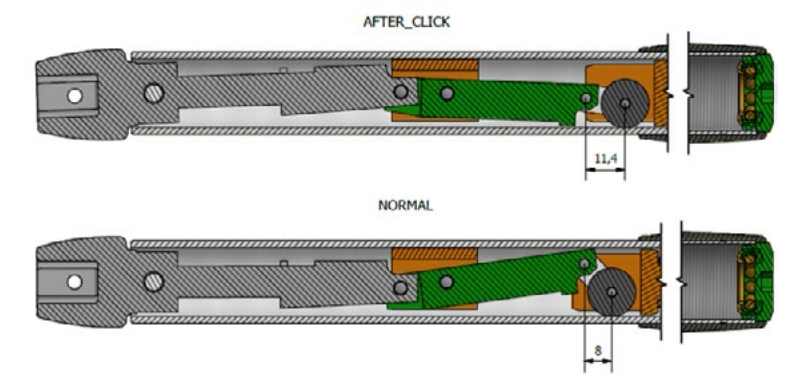


- Productivity
- Data traceability
- Error proofing management
- Untightening detection

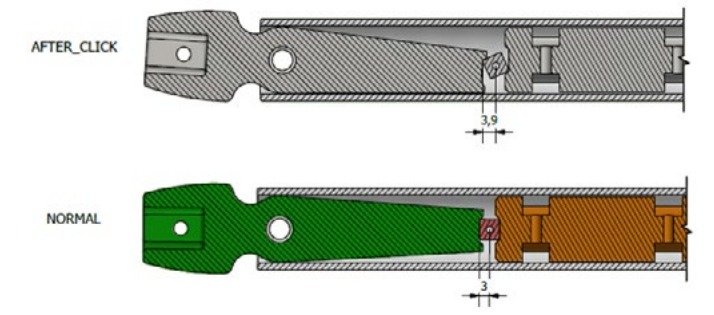
## ➤ Decrease maintenance

SCS Concept click mechanism reduces friction and mechanical wear and allows much longer working time without need for mechanical adjustment. It also allows for longer maintenance intervals, compared to competitors.

## ➤ SCS design



## ➤ Competitor design



Part Number	Designation
197 14 0045	RF868 Mhz interface for CL/CLS Wrench
197 14 0049	RF915 Mhz interface for CL/CLS Wrench
153 20 0010	SCS FCB controller
333 51 0024	Power supply SCS FCB
153 20 0008	FIM-EVO 4 output
153 20 0013	FIM-EVO with 16 input & 16 output

## ➤ Wireless charger

Part Number: 197 14 0045

