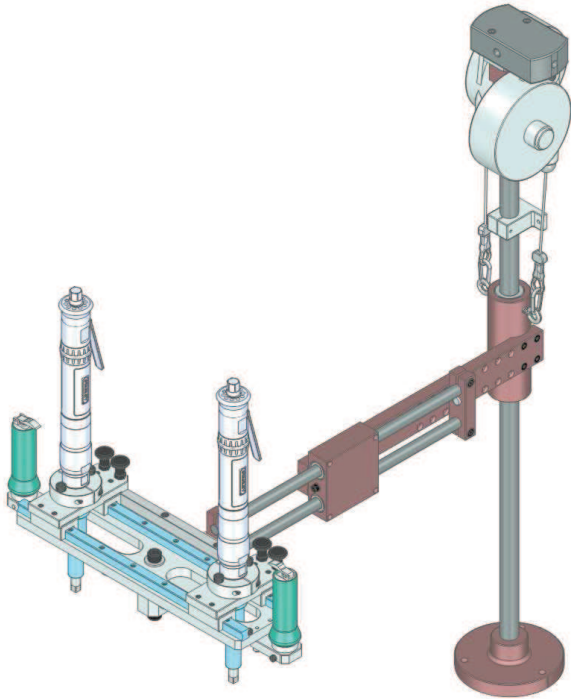
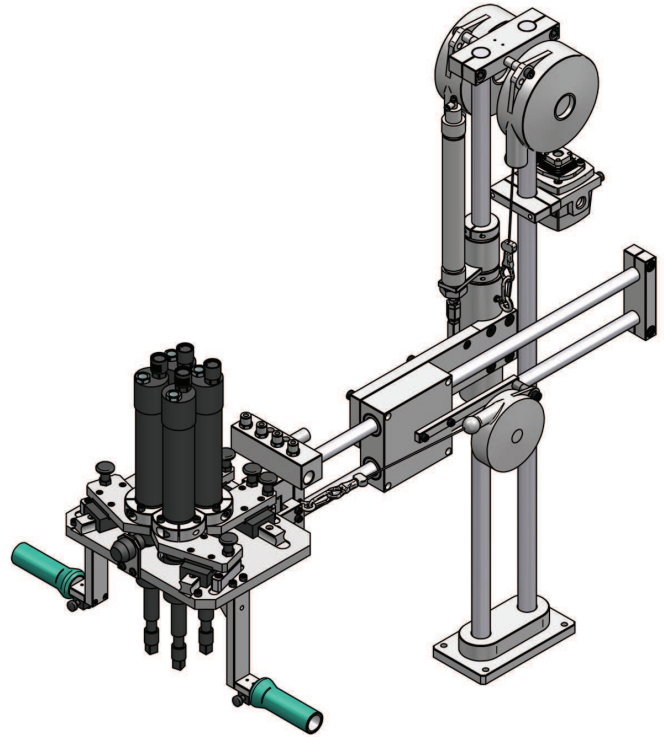


Special arms



BA for double spindle with variable pitch

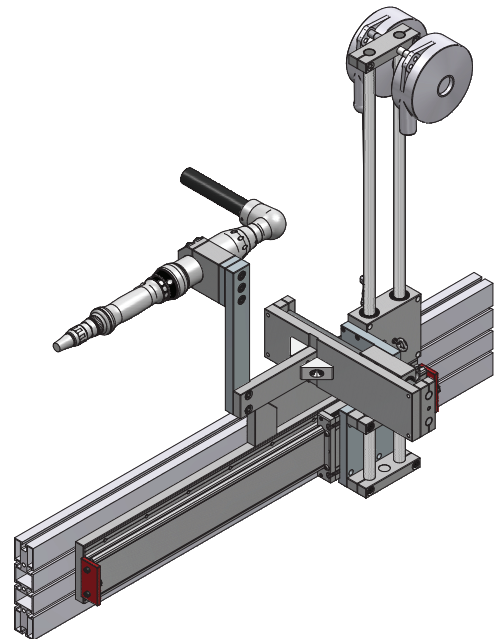


BA 200 with 4 spindles + easy push kit



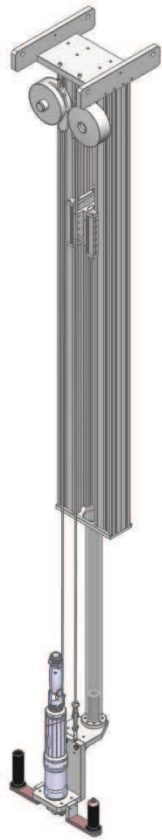
SLIDER 50 COMPACT :

- With rail
- With air locker
- With rotative clamp

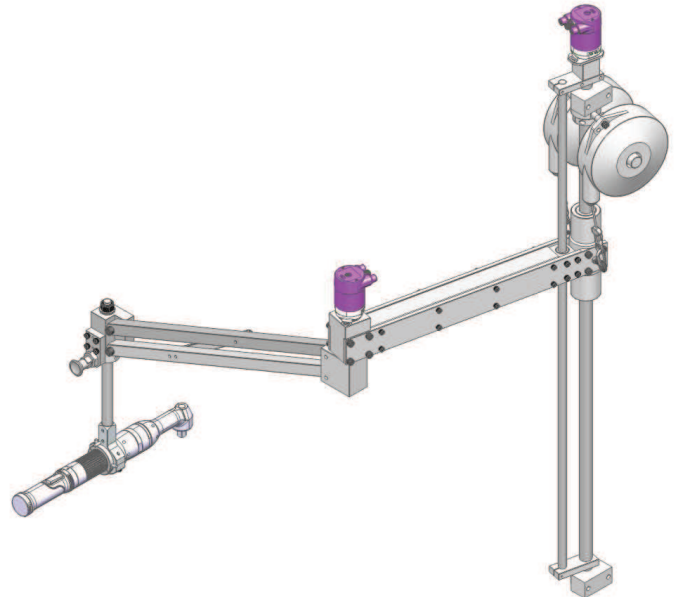


Cartesian arm, 3 axes

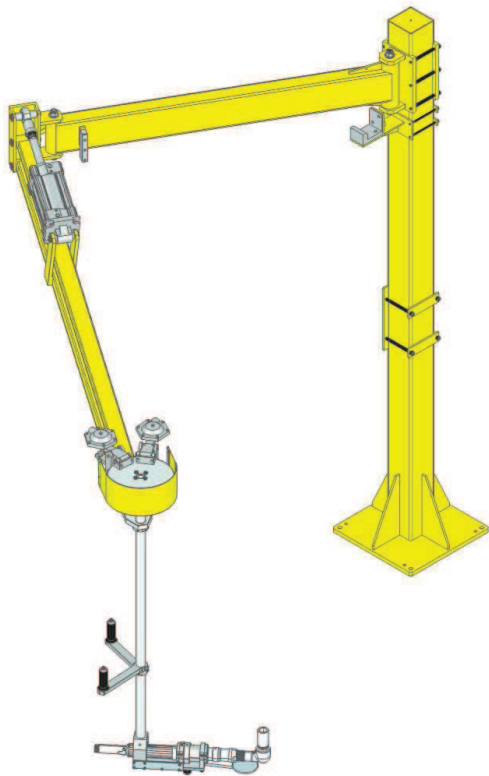
Special arms



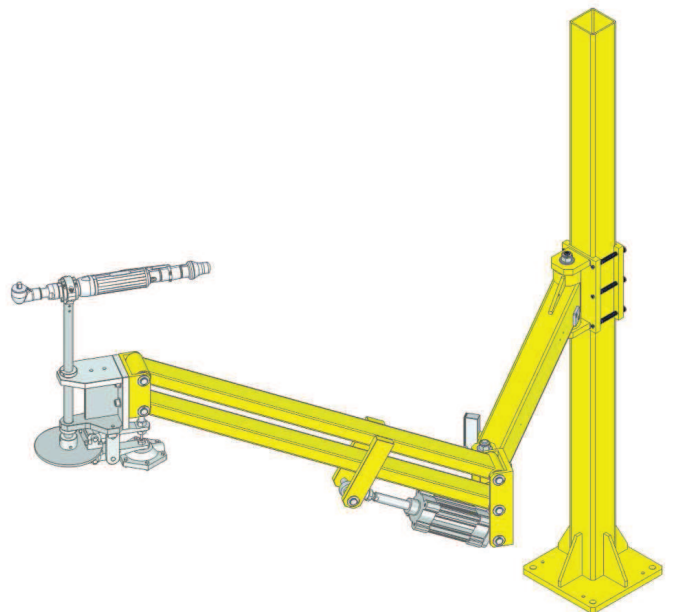
SLIDER 300 COMPACT for straight nutrunner



BA 180 R with :
 - Profinet coders
 - Rotative and swivelling clamp



BA 500R/3000 with :
 - Disk break
 - Rotative clamp



BA 200 R for under body tightening :
 - With disk break
 - Rotative clamp